

SPECIFICATIONS

Switch Function	DPDT
Electrical Ratings	300mA @ 6VDC
Electrical Life	10,000 cycles typical
Contact Resistance	< 50 mΩ initial
Actuation Force	200 +/- 100gF
Actuator Travel	2.0 mm total
Dielectric Strength	1000Vrms min
Insulation Resistance	> 100MΩ min
Operating Temperature	-40°C to 85°C
Storage Temperature	-40°C to 85°C



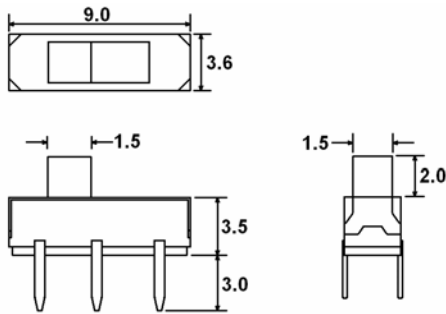
MATERIALS ←RoHS COMPLIANT

Actuator	4/6 Nylon
Housing	4/6 Nylon
Cover	Stainless Steel
Contacts	Phosphor Bronze, Silver Plated
Terminals	Brass, Silver Plated

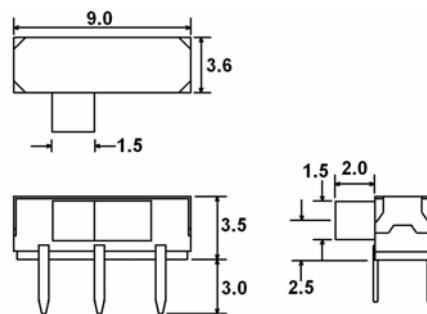
ORDERING INFORMATION

1. Series:	MS1271R	2
MS1271		
MS1271R		
2. Actuator Color		
1 = White		
2 = Black		

DIMENSIONS



MS1271



MS1271R

SCHEMATIC & PC LAYOUT

